

**Keep your caravan or camper trailer looking like new. Coast's new range of Stone Shields stop stones (and other hard debris) from chipping, or potentially even denting, your RV's paintwork. Great for travel along the unbeaten track, these Stone Shields are super easy to install onto your a-frame.**

Made from extra tough rip stop mesh (rip stop is a woven material that is resistant to tears or rips) and includes two extra large rubber mud flaps (that are heavy duty) to protect the undercarriage of your caravan or camper trailer.

Read through these simple instructions (in full) prior to commencing the installation process.

Note: Once your Stone Shield is fitted, ensure you have sufficient clearance between your vehicle and your RV/Stone Shield—remember, you may need a wider turning circle when maneuvering your RV.

Your Stone Shield comes flat packed. Before you begin assembly, we recommend laying all the components out, as per the image below. Not only will this aid an efficient assembly but you're also able to double check that all components are present.

**The following items should be present in your Stone Shield packaging:**

1. Mud Flap Bars (x2)
2. Centre Piece (x1)
3. End Pieces (x1 LH and x1 RH)
4. 25mm Threaded Self Drilling Screws ( 1 x Bag)
5. 20mm Threaded Self Drilling Screws ( 1 x Bag)
6. A-Frame Receptors (x2)
7. Locking 'R' Pins (x2)
8. Mounting Kits (x2) - this includes x4 rubber spacers
9. Rubber Mud Flaps (x2)
10. Rip Stop Mesh (x1)
11. Reinforcing Plates (x4)

<sup>^</sup> Please note screws may vary between Phillips and Hex head screws. Alter your tools as required.



Fig. 1

Please note: Some drilling is required to install your stone shield.

Once you've checked that all components are present, gather the following tools and keep them nearby so that they're easy to locate when needed.



*\* Tools are not provided, images to the above are for illustrative purposes only.*

# STONE shields

## STEP 1:

Locate the Centre Piece and move it to a workable area—free of obstacles safety hazards.



Fig.2

## STEP 2:

Locate one of the End Pieces and slide into the Centre Piece. Repeat the process on both sides and secure with the 20mm self drilling screws - see Fig.4

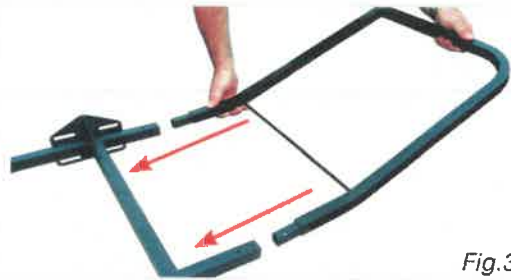


Fig.3

^ Rounded corners represent the top of the Stone Shield.

^ Locate the reinforcing plates and the 20mm self drilling threaded screws.



Fig.4

## STEP 3:

Use the screws to secure the reinforcing plate to the stone shield frame.

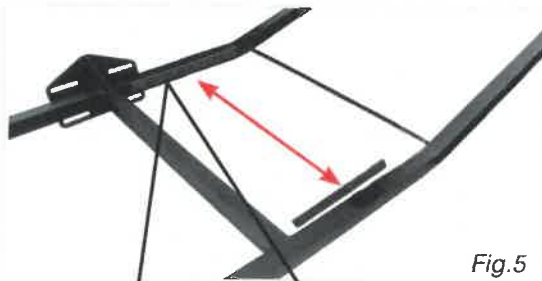
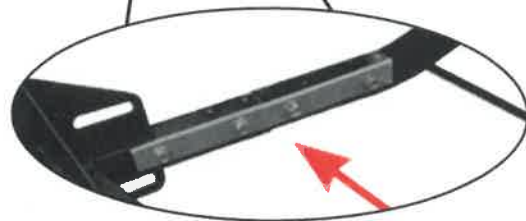


Fig.5

Repeat the process on both sides - see inset to the left.





**STEP 4:**

Locate the mesh.  
To make this process easier, we recommend turning the Stone Shield frame over.

The Stone Shield frame is pre-drilled, showing you where the screws need to go.



Fig.6



Fig.7

**STEP 5:**

Line the mesh up with the Stone Shield frame. Using the 20mm Threaded Screws, secure the mesh to the frame. We recommend starting with the corners and then continuing to work around the entire frame.



Fig.8

*^ The mesh cuff is not pre-drilled. We recommend marking the cuff with a pinhole to locate the correct hole in the frame, prior to permanently screwing the mesh into the frame.*



Fig.9



Fig.10

**STEP 6:**

Once the mesh has been secured to the frame, it's time to attach the mud flaps. To make this process, we recommend turning the Stone Shield frame over. Locate the mud flap bars, mud flaps and the 25mm threaded screws.



Fig.11



Fig.12

# STONE shields

## STEP 7:

Take the mud flap and line the holes on it, up with the holes in the Stone Shield frame.

Place the mud flap bar on top of the mud flap, once again making sure the holes are all aligned, and screw in to secure to the Stone Shield frame.



## STEP 8:

Once both mud flaps are secured, take the Stone Shield frame over to the A-frame of your RV.

To determine the best position for your Stone Shield, sit it on top of the A-frame but make sure that you have clear access to at least three of the cutouts.



## STEP 9:

Once the best position is determined, locate the U-brackets and fit onto your A-frame. (Rubber spacers and varied bottoms are provided for thicker A-frames.) Attach the mounting feet to the Stone Shield frame.

<sup>^</sup> The rubber spacers may not be required for installation. They are provided to accommodate for uncommon A-frames.





**STEP 10:**

With the mounting feet bolted onto the frame, lift the Stone Shield frame onto the A-frame so that the downward prongs fit into the receptors on the U-brackets.



**STEP 11:**

Finally, use the locking pins to lock the Stone Shield frame to the receptors i.e. stopping the Stone Shield frame from lifting.

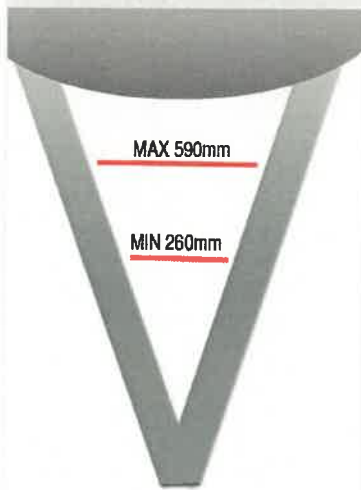
*^ Please note for added security, padlocks or cable locks can be used. These are not provided but are available through your local hardware store.*



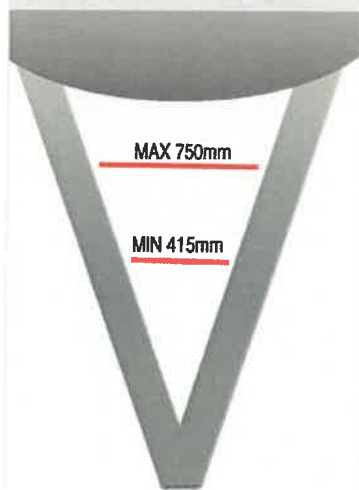
# STONE shields

Part Number and Description	Gross Weight (kg)	Net Weight (kg)
<b>450-06500</b> Caravan Stone Shield (2310mm x 500mm)	17.3	16.0
<b>450-06510</b> Camper Van Stone Shield (2150mm x 500mm)	17.0	15.7
<b>450-06520</b> Camper Trailer Stone Shield (1800mm x 500mm)	16.0	14.8

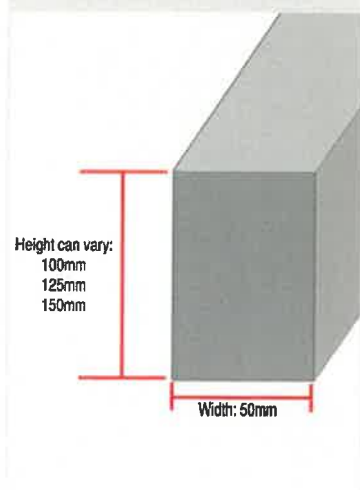
The Trailer Stone Shield can be fitted onto A-frames, provided it is between the widths below:



The Stone Shield can be fitted onto A-frames, provided it is between the widths below:



The U-brackets can fit onto A-frame bars, provided it is between the widths below:





**Coast to Coast**  
CARAVAN & LEISURE

For warranty terms and conditions, please contact a Coast to Coast branch in your state.  
When installing the Stone Shield, allow sufficient room for rotation of jockey wheel handle.

^ Note: Ensure you have sufficient clearance between your vehicle and your RV/Stone Shield—remember, you may need a wider turning circle when maneuvering your RV.

*Specifications are correct at time of printing and are subject to change without notice.*